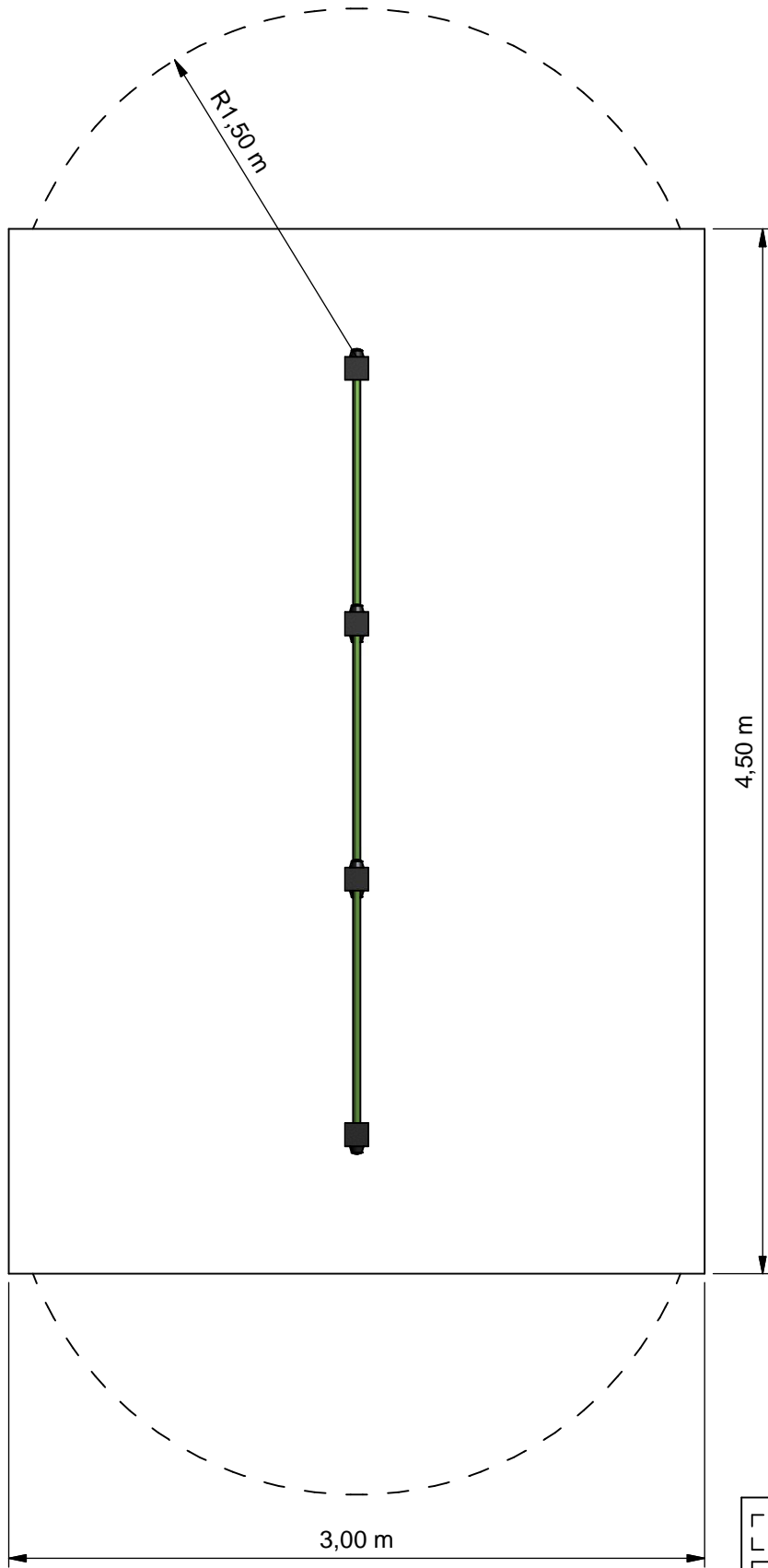




# Tumble bar trio



FRPE516.031



- Obstalvrij EN-1176
- Obstacle free EN-1176
- Opvangzone  
Impact area
- Obstalvrij WAS  
Obstacle free WAS



Benaming  
Title | Duikelrek trio

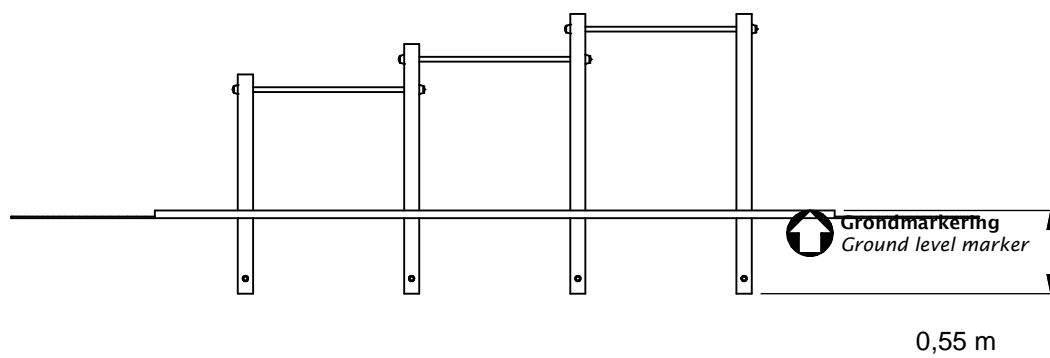
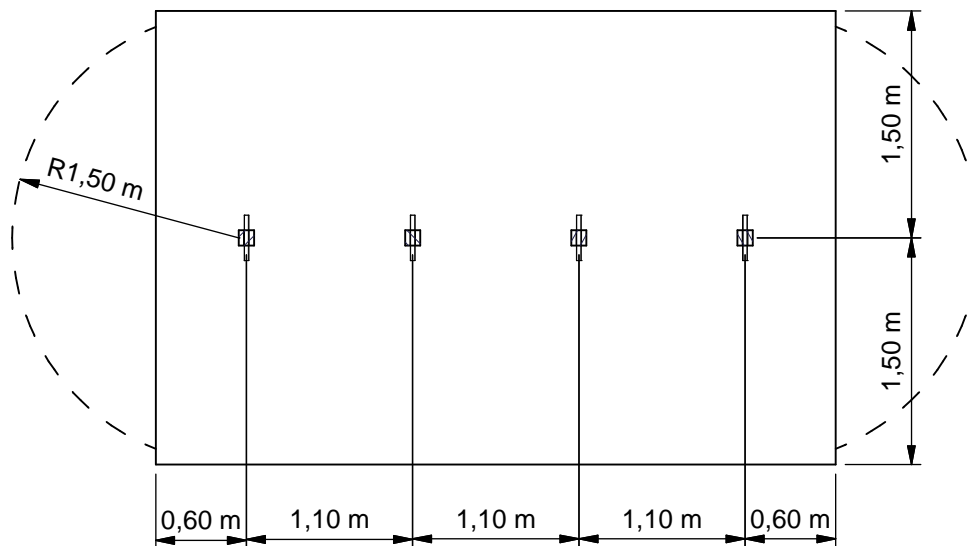
Opmerking  
Comment | Freeplay

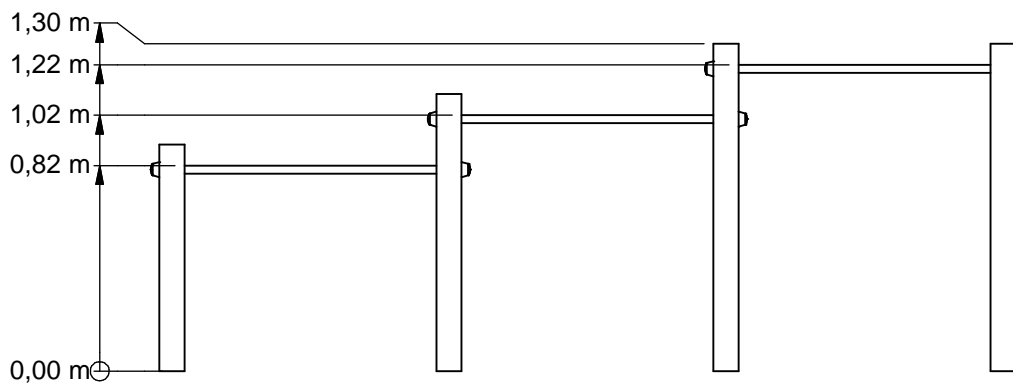
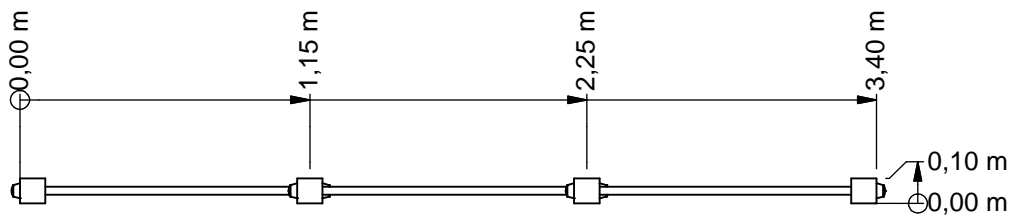
Datum  
Date | 15-4-2014

Tekening  
Drawing

**TOE FRP 516 031**

Obstalvrije zone *Obstacle free zone*





Benaming  
Title Duikelrek trio

Opmerking  
Comment Freeplay

Datum  
Date 15-4-2014

Tekening  
Drawing

**TOE FRP 516 031**

*Afmetingen Dimensions*

**Geleverde modules:**

Zie tabel

**Supplied modules:**

See table

**Montageinstructie:**

- De hoofdmaten geven de maten van de staanders en vloeren aan
- De detailtekeningen geven specifiek de maten van de verbindingen aan
- De modules met buizen zijn op de tekeningen bemaat op bovenkant kopplaat
- Overige modules zijn bemaat op de bovenkant (klimwanden, paalkappen, etc.)

**Assembly instruction:**

- The main dimensions indicate the dimensions of the posts and floors
- The detailed dimensions show the specific dimensions of the connections
- The modules which contain tubes are dimensioned at the top of the flanges
- Other modules are dimensioned at the top (climbing walls, caps for the posts, etc.)

**Montagevolgorde:**

- 1 - Graaf de gaten volgens het bodemplan
- 2 - Assembleer en plaats 1+2+3+4 met 3 keer 5
- 3 - Controleer of het toestel voldoet aan de afmetingen zoals op blad 'afmetingen'
- 4 - Dicht de gaten en verdicht het zand

**Assembly sequence:**

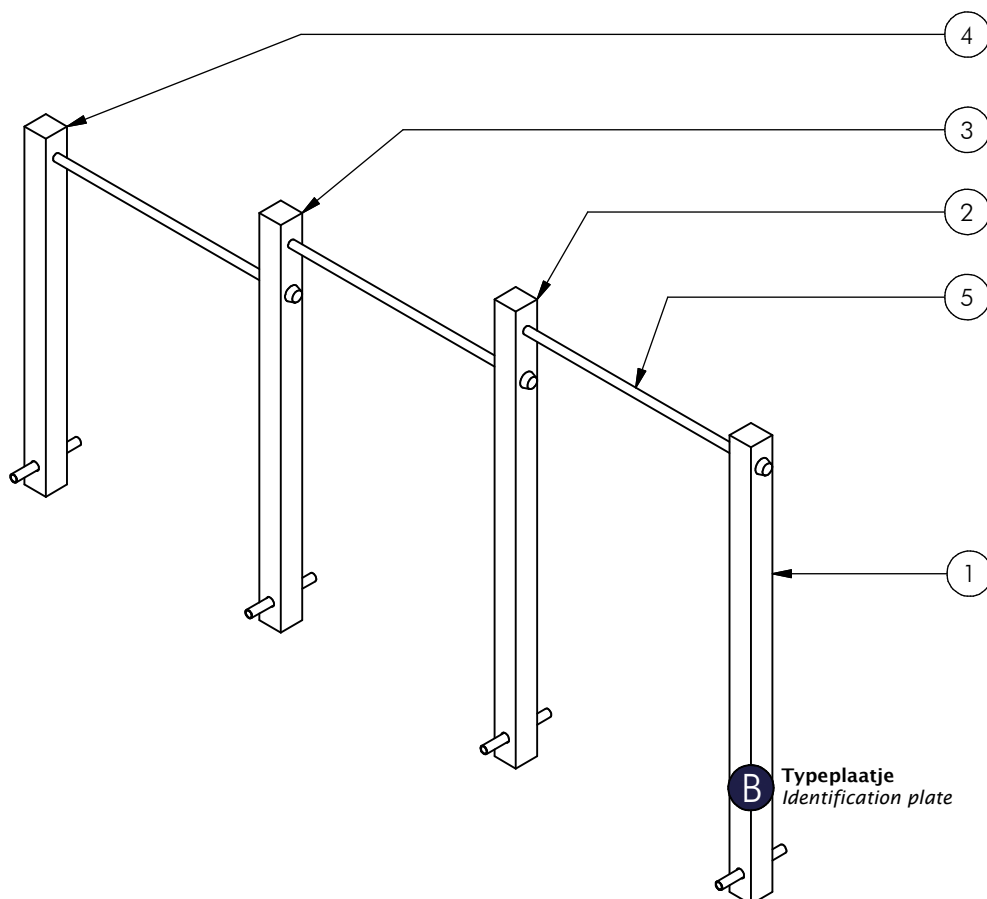
- 1 - Dig the holes according to the ground plan
- 2 - Place 1+2+3+4 and connect with three times 5
- 3 - Check that the equipment conforms to the dimensions shown on sheet 'dimensions'
- 4 - Close the holes and compact the sand

**Controles:**

- 1 - Correcte opbouw en alle bevestigingsmiddelen
- 2 - Controleer de afmetingen van de valbodem t.o.v. het toestel

**Checks:**

- 1 - Correct assembly and all the fasteners
- 2 - Check the dimensions of the safety area with regard to the play equipment



Nr	#	Type	Progr.	Volgnr	Bew.	Rev.	Benaming	Opmerking
1	1	MOD	FRP	KST	068	A	Duikel 1200	Freeplay
2	1	MOD	FRP	KST	069	A	Duikel 1000/1200	Freeplay
3	1	MOD	FRP	KST	070	A	Duikel 800/1000	Freeplay
4	1	MOD	FRP	KST	071	A	Duikelrek 800	Freeplay
5	3	MOD	FRP	KST	072		Duikelstang	Freeplay



Benaming  
Title Duikelrek trio

Opmerking  
Comment Freeplay

Datum  
Date 15-4-2014

Tekening  
Drawing

TOE FRP 516 031

Modules Modules

# FRPE516.031

Tumble bar trio

## LOGBOOK

(Onderstaand logboek kan gebruikt worden om te voldoen aan de eisen, gesteld in artikel 14 van het Warenwetbesluit Attractie- en Speeltoestellen)

Type indication	Free Play
Product code	FRPE516.031
Name of equipment	Duikelrek trio
Maximum height of fall	1,3 m
Year of construction	2017
Certificate	133186
inspection authority	Keurmerkinstituut Groeneweg 2e, Zoetermeer - 2718AA Zoetermeer
Name manufacturer	BOERplay Hyacintstraat 2 - 4255 HX Nieuwendijk Phone: +31 (0)183 40 23 66 Fax: +31 (0)183 40 35 64
name installer	_____ _____
Description of equipment	Tumble bar trio
Location of equipment	_____
Data about the owner of the play equipment	
Name:	_____
Address:	_____
Postcode and town:	_____
Contact person:	_____
Telephone number:	_____
Data about the administrator of the play equipment	
Name:	_____
Address:	_____
Postcode and town:	_____
Contact person:	_____
Telephone number:	_____

# LOGBOOK

## Inspection and maintenance intervals



Nr.	Inspection	Maintenance	months between inspections
1	Verify equipment's stability, junctions and missing parts. Inspect bolts, screws and nuts for absence, jams, corrosion and wear.	Add missing parts, secure joints, apply missing fixing agent and replace corroded parts.	1
2	Check suspension for wear.	Replace worn parts and/or remove non-functioning parts.	1
3	Inspect rotating parts such as hinges, rolling-element bearings, etc. for wear and acceptability.	Replace worn parts and/or remove non-functioning parts.	1
4	Check wood for splinters, unacceptable damage and signs of rot. Especially at ground level.	Repair damage. Replace affected wood. Smoothen splintered wood and sharp edges.	1
5	Inspect foundation for stability, tearing and coverage.	Restore foundation and covering material.	3
6	Examine rubber and synthetic parts for wear, damage and break.	Replace original parts.	3
7	Inspect metal for corrosion and damage in the coating.	Restore any damaged coating (after removing rust and applying primer).	6
8	Check ropes, cables, chains and nets for wear and damage. Steel cables and nets which are tensioned must be checked for tension.	Replace parts where necessary. Steel cables and nets must be tensioned.	3
9	Inspect equipment for unsafe changes and additions.	Remove unsafe additions and correct unsafe changes.	1
10	Inspect safety surfaces.	Restore and repair where necessary.	1

## Remarks


1. If used intensively, all points require extra attention.
2. Extreme weather conditions and locations may require a higher inspection frequency. Discuss this with the supplier.
3. Vandalism-sensitive locations require stricter inspections, possibly daily.
4. Check the terrain regularly for items that do not belong there, are unsafe or may be used wrongly. Examples are poisonous plants, glass shards, etc. Frequency depends on strain.
5. Remember that bad maintenance leads to unsafe conditions and notably faster impoverishment of the playground area.
6. Replacement parts can be ordered at the manufacturer with the part numbers on the module drawing. Drawings can be found in de user guide.
7. The impact area shall be provided with impact attenuating surface according to the specified falling height.
8. This list is conform the CEN-standard "playground equipment and surfacing NEN-EN 1176-7".

# Certificaat

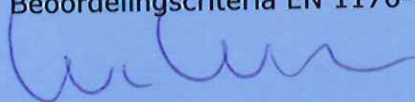
**KEURMERKINSTITUUT**

## Warenwetbesluit attractie- en speeltoestellen

Certificaat van goedkeuring afgegeven door Keurmerkinstituut (aangewezen bij ministeriële beschikking van 8 juni 2004, VGB/P&L 2478562).

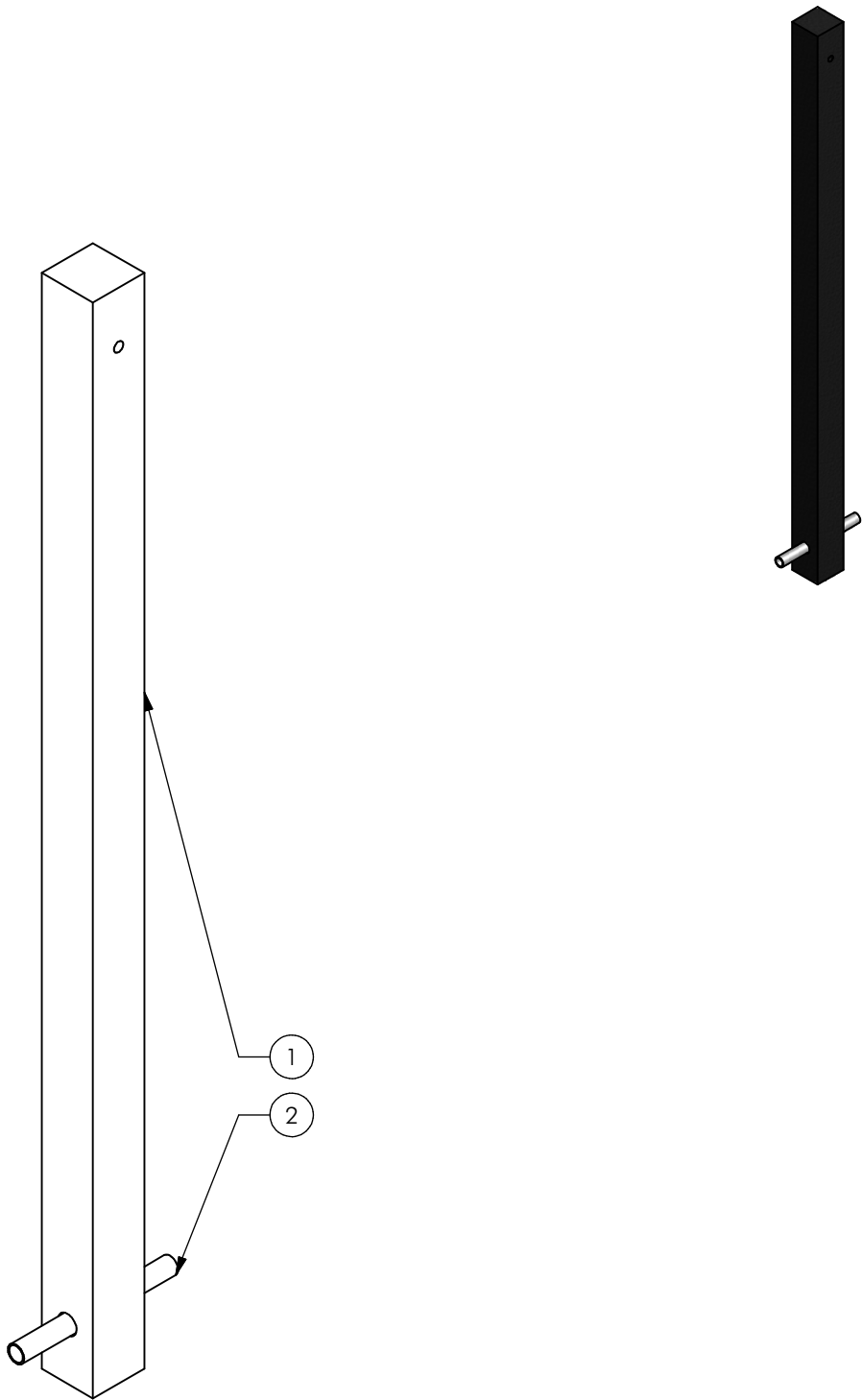
Certificaat nr.:	133186	
Dossier nr.:	9678.01	Serie / Enkel: S
Betreft:	Duikelrek trio	
Aanduidingen:	FRP.516.031	
Eigenaar/houder:	Boer speeltoestellen Postbus 10 4255 ZG Nieuwendijk	
Soort toestel:	Drievaks duikelrek, drie hoogtes. Valhoogte maximaal 130 cm.	
Fabrikant:	Boer speeltoestellen b.v., Nieuwendijk	
Jaar van fabricage:	2014	
Leverancier:	Boer speeltoestellen b.v., Nieuwendijk	
Jaar van leverantie:	2014	
Datum keuring:	14 maart 2014	

Keurmerkinstituut, Groeneweg 2 te Zoetermeer, verklaart dat het bovenvermelde toestel voldoet aan de vervaardigingsvoorschriften genoemd in het Warenwetbesluit attractie- en speeltoestellen (Staatsblad 474, 27 september 1996).  
Beoordelingscriteria EN 1176-1:2008.



drs. W. van Weperen  
directeur





Nr	#	Type	Progr.	Volgnr	Bew.	Rev.	Benaming	Opmerking
1	1	KST	FRP	060	RBO	A	Paal 1850	Freeplay
2	1	OME	PYP	032	030		St pijp Ø31,8	L=300



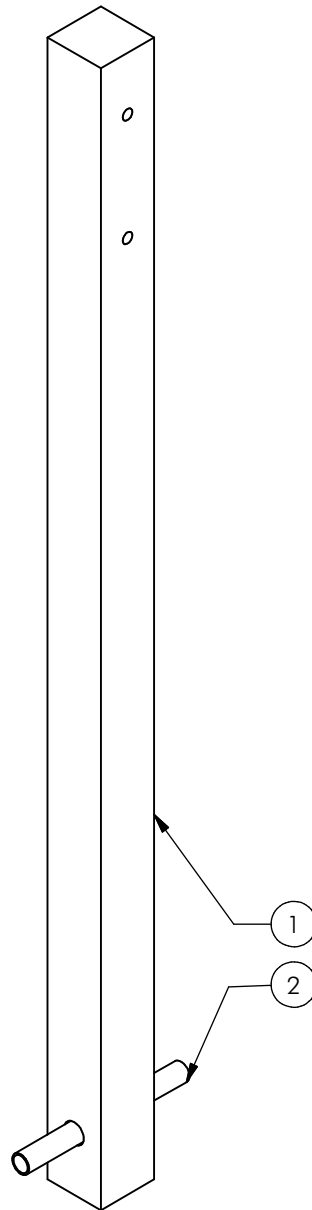
Benaming  
Title: Duikel 1200

Opmerking  
Comment: Freeplay

Datum  
Date: 15-4-2014

Tekening  
Drawing

**MOD FRP KST 068 A**  
 Samenstelling module *Assembly module*



Nr	#	Type	Progr.	Volgnr	Bew.	Rev.	Benaming	Opmerking
1	1	KST	FRP	061	RBO	A	Paal 1850 2 gaten	Freeplay
2	1	OME	PYP	032	030		St pijp Ø31,8	L=300



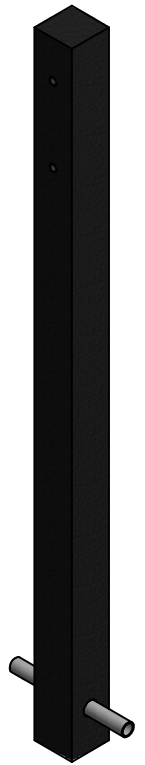
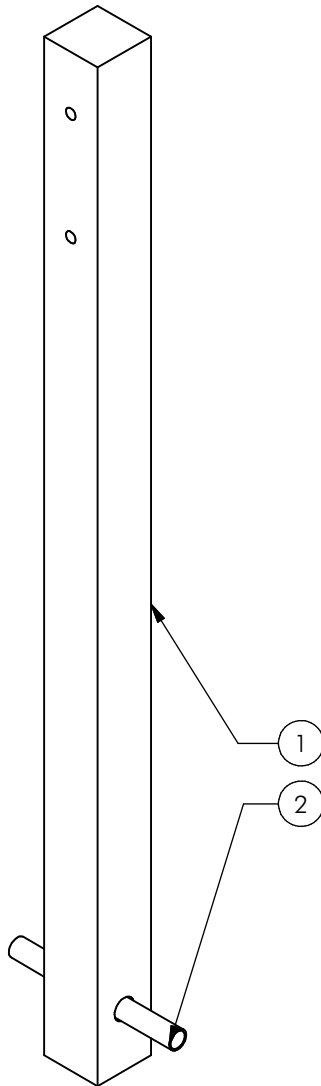
Benaming  
Title: Duikel 1000/1200

Opmerking  
Comment: Freeplay

Datum  
Date: 15-4-2014

Tekening  
Drawing

**MOD FRP KST 069 A**  
 Samenstelling module *Assembly module*



Nr	#	Type	Progr.	Volgnr	Bew.	Rev.	Benaming	Opmerking
1	1	KST	FRP	062	RBO	A	Paal 1650 2 gaten	Freeplay
2	1	OME	PYP	032	030		St pijp Ø31,8	L=300



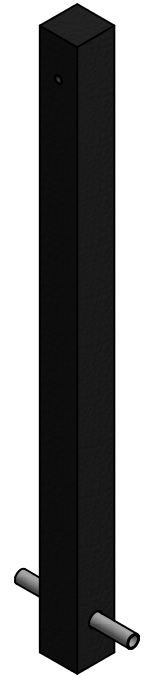
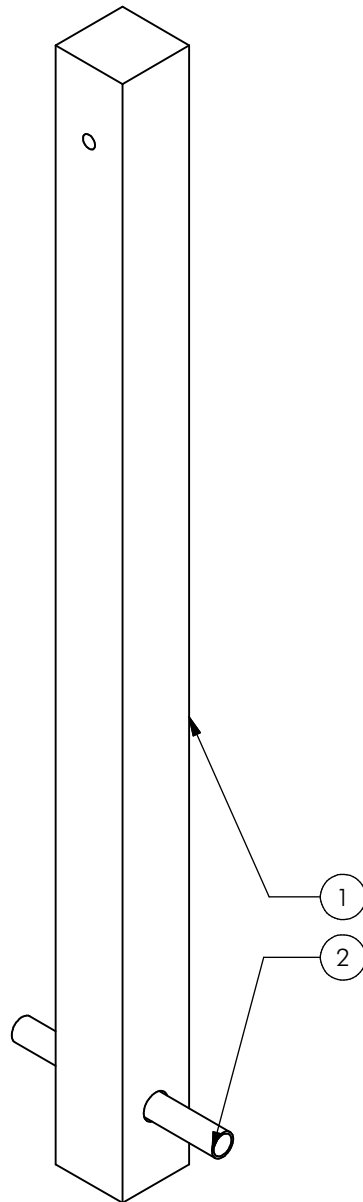
Benaming  
Title: Duikel 800/1000

Opmerking  
Comment: Freeplay

Datum  
Date: 15-4-2014

Tekening  
Drawing

**MOD FRP KST 070 A**  
 Samenstelling module Assembly module



Nr	#	Type	Progr.	Volgnr	Bew.	Rev.	Benaming	Opmerking
1	1	KST	FRP	063	RBO	A	Paal 1450	Freeplay
2	1	OME	PYP	032	030		St pijp Ø31,8	L=300



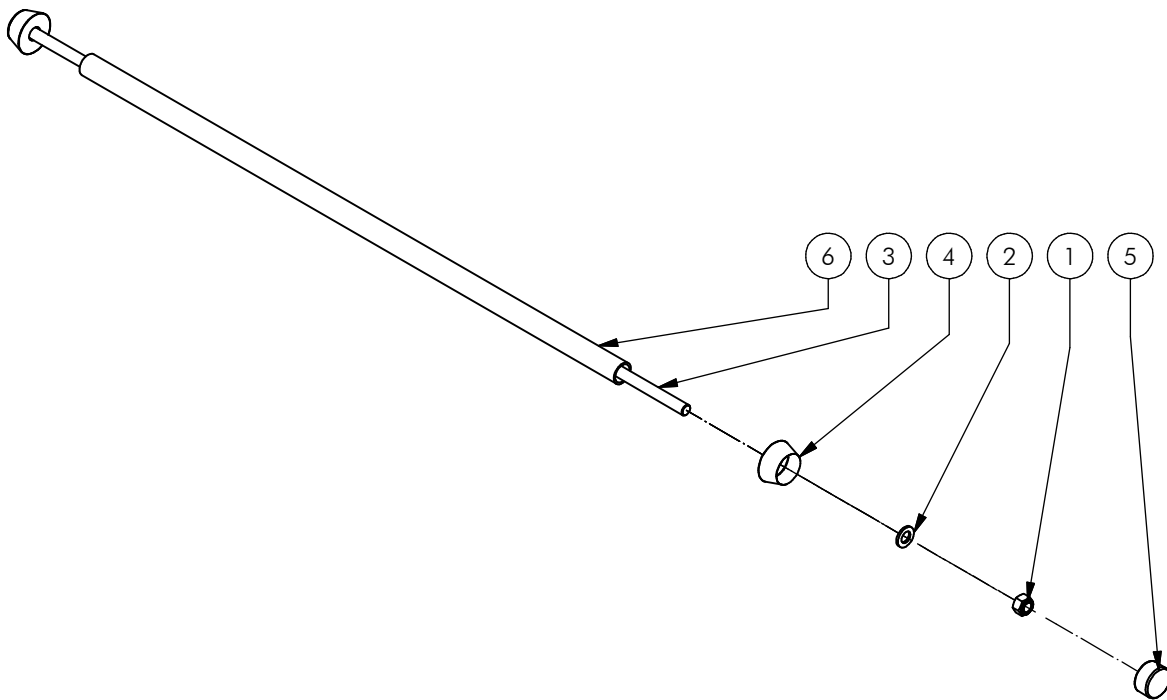
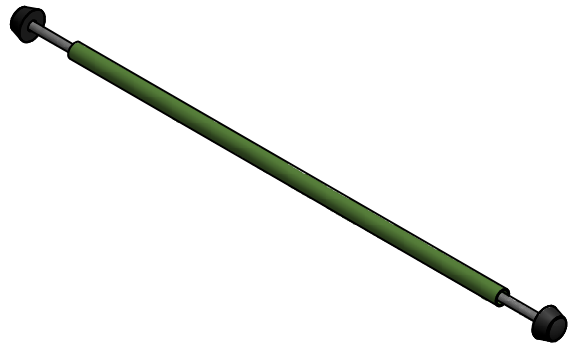
Benaming  
Title Duikelrek 800

Opmerking  
Comment Freeplay

Datum  
Date 15-4-2014

Tekening  
Drawing

**MOD FRP KST 071 A**  
 Samenstelling module *Assembly module*



Nr	#	Type	Progr.	Volgnr	Bew.	Rev.	Benaming	Opmerking
1	2	BSV	010	016	020		BORGMOER	M16
2	2	BSV	030	016	003		SLUITRING	M16 x 3
3	1	BSV	060	016	1240		Draadeind	M16 x 1240 - VZ 8.8
4	2	KST	DON	020	090		Miniplay donut	zwart
5	2	KST	DOP	020	090		Miniplay dop	zwart
6	1	OME	FRP	189	372		Duikelbuis	Freeplay



Benaming Title Duikelstang  
 Opmerking Comment Freeplay  
 Datum Date 15-10-2013

Tekening Drawing

**MOD FRP KST 072**

Samenstelling module Assembly module